

OPTI LEG PROCESSOR



OPTI LEG PROCESSOR

Foodmate has developed the OPTI Leg Processor to maximize bone-in and boneless dark meat yields. The machine gives a high yield anatomical cut and good meat and skin presentation. The new design is user friendly and provides low maintenance cost, as it has no springs or air cylinders. In addition, height is easily adjustable, which simplifies the process of accommodating different bird sizes. The machine was developed in the U.S., and though initially designed to address specific demands of the US market, this new version has proven to bring overall greater performance, benefiting customers around the world. The OPTI Leg Processor can be installed in either a new Foodmate Cut-up System or it can easily be integrated into existing frame or flex type cut-up system.



Final Product

The leg processor accommodates a wide size range while maintaining a high percentage of "white knuckles" and minimal bone content.

ADVANTAGES

OPTIONAL BYPASS

CONSISTENT AND ANATOMICAL CUTS

ACCOMMODATES BIRDS WITH ONE WING

SUITABLE FOR BIG AND SMALL BIRDS

LEAVES MINIMUM BREAST MEAT AND MAXIMUM BACK MEAT

HANDLES DAMAGED BIRDS WITHOUT CLOGGING THE MACHINE AND STOPPING LINE

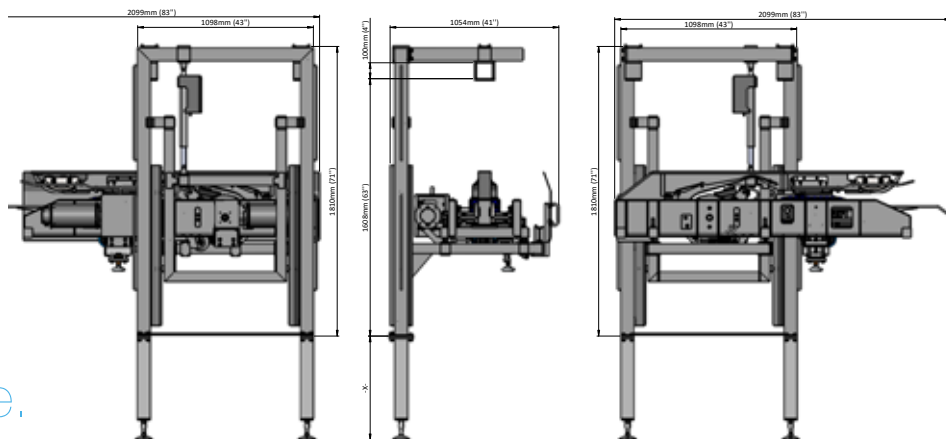


foodmate
Poultry Processing Systems

OPTI LEG PROCESSOR

The OPTI Leg Processor can accommodate a wide size range while maintaining a high percentage of "white knuckles" and minimal bone content with minimal adjustments. The OPTI Leg Processor can be adjusted to accommodate the so called "big birds" or large chickens.

The OPTI Leg Processor can run up to 105 BPM. In addition, final product is consistent, with good meat and skin presentation. The OPTI Leg Processor delivers improved cut quality and yield performance as a standalone machine or when supplying product to the Foodmate Dark Meat Deboning System.



We make it simple.
You make it profitable.



TECHNICAL SPECIFICATIONS

Frame and motor	Stainless steel
Motor	(IP66) power is 2 x 0,75 kW
Length	2099 mm / 83"
Width	1098 mm / 43"
Height	1810 mm / 71"
Approx. Weight	400 kg / 882 lbs

Foodmate US

221 Turner Blvd.
Ball Ground, Georgia 30107, U.S.A.
Phone: +1 678-819-5270 · Fax: +1 678-819-5273

info@foodmateusa.com | foodmateus.com

Foodmate B.V.

Röntgenstraat 18 Oud-Beijerland
PO Box 1405 3260 AK Oud-Beijerland
The Netherlands
Phone: +31-186630240 · Fax: +31-186630249
info@foodmate.nl | foodmate.nl