



HALVING MACHINE

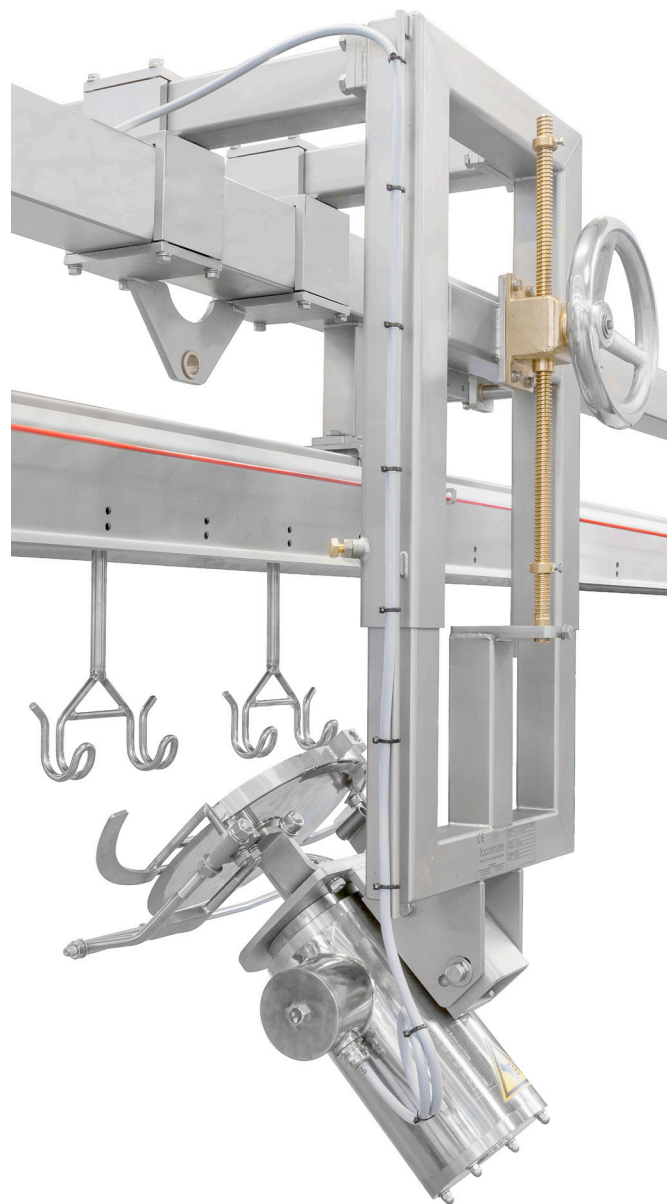


foodmate

Poultry Processing Systems

The Foodmate Halving Machine separates the front half from the chicken. The machine also can be used to cut off the remaining backbone piece after using the FM Front

Piece Cutter. It requires minimal maintenance and is easy to clean. The Halving Machine can be installed on current configurations or newly constructed Frame and Flex Lines.



Our mission is to innovate, automate and bring cost-effective solutions to the industry.



HALVING MACHINE

Key Benefit:

- Allows for a maximum of 6,000 birds per hour

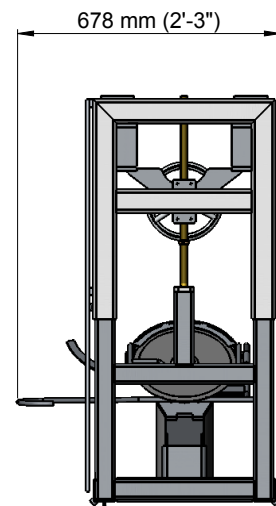
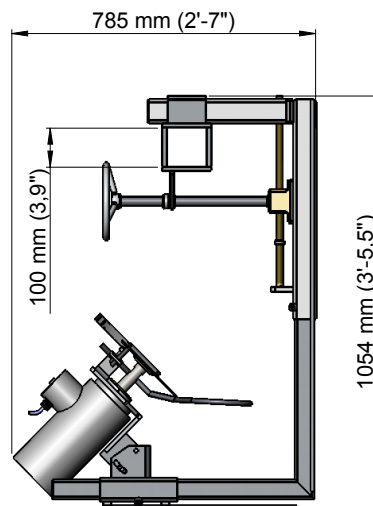
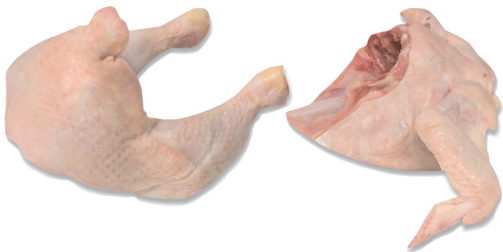
Foodmate is an equipment manufacturing company based in the Netherlands. Founded in 2006, we focus primarily on poultry processing, and we recently launched Foodmate US, expanding our worldwide distribution into North America. Driven by research, paired with unmatched knowledge and decades of experience, it's our mission to innovate, automate and bring cost-effective solutions to the industry.

Our product line spans a wide assortment of processing equipment designed for live bird handling, killing and de-feathering, eviscerating, chilling, weighing, cut-up systems, deboning, and more. In addition to manufacturing, we provide an extensive variety of spare parts and service for other processing equipment and reconditioned machines.

Our team represents decades of industry knowledge and experience resulting in the engineering, development and implementation of new designs for our clients and their ever-changing needs.

Technical Specifications:

- Stainless steel frame and motor
- Motor (IP66) power is 0,75 kW
- Machine dimensions:
 - Length: 678 mm
 - Width: 785 mm
 - Height: 1054 mm
 - Weight: approx. 95 kg



FOODMATE B.V.
Röntgenstraat 18 • 3261 LK Oud-Beijerland
P.O. Box 1405 • 3260 AK Oud-Beijerland
The Netherlands
Phone: +31-186 630240 • Fax: +31-186 630249
info@foodmate.nl
www.foodmate.nl

FOODMATE US, Inc.
300 Wilbanks Drive, Ball Ground, GA 30107
P.O. Box 4116, Canton, GA 30114
U.S.A.
Phone: +1-678-819-5270 (U.S.) • Fax: +1-678-819-5273
info@foodmateusa.com
www.foodmateus.com



foodmate