



TAIL CUTTER

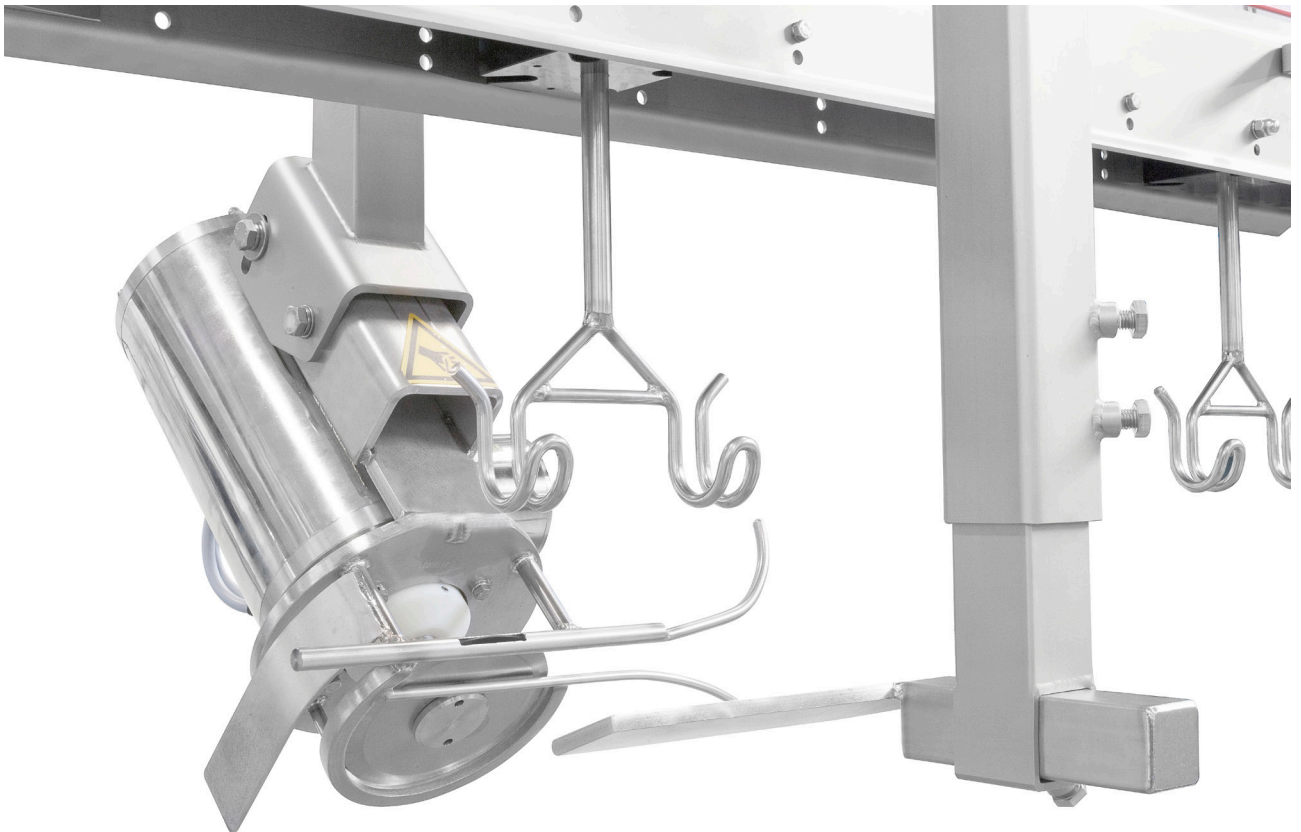


foodmate

Poultry Processing Systems

The Foodmate Tail Cutter automatically removes the tail from the back. The unit can be placed in different locations in the line. The Tail Cutter is designed to allow maximum yield and minimum damage to both back and tail. The machine is installed in the Foodmate Cut-Up Line. The machine is designed to separate the tail from

the bird to be further processed. When the bird enters the machine, the bird is guided by rails to a circular blade. When the bird passes the blade, the tail is cut off and the bird is transported to the next module. It can be placed on a flex or frame line.





TAIL CUTTER

Key Benefit:

- Allows for a maximum of 6,000 birds per hour

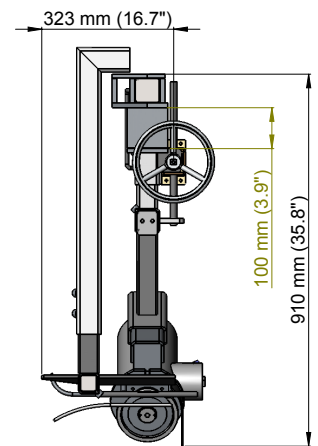
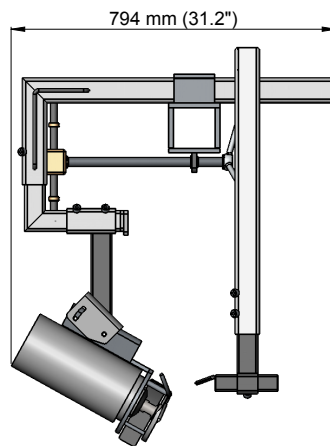
Foodmate is an equipment manufacturing company based in the Netherlands. Founded in 2006, we focus primarily on poultry processing, and we recently launched Foodmate US, expanding our worldwide distribution into North America. Driven by research, paired with unmatched knowledge and decades of experience, it's our mission to innovate, automate and bring cost-effective solutions to the industry.

Our product line spans a wide assortment of processing equipment designed for live bird handling, killing and de-feathering, eviscerating, chilling, weighing, cut-up systems, deboning, and more. In addition to manufacturing, we provide an extensive variety of spare parts and service for other processing equipment and reconditioned machines.

Our team represents decades of industry knowledge and experience resulting in the engineering, development and implementation of new designs for our clients and their ever-changing needs.

Technical Specifications:

- Stainless steel frame and motor
- Motor (IP66) power is 0,75 kW
- Machine dimensions:
 - Length: 323 mm
 - Width: 794 mm
 - Height: 910 mm
 - Weight: approx. 45 kg



FOODMATE B.V.
Röntgenstraat 18 • 3261 LK Oud-Beijerland
P.O. Box 1405 • 3260 AK Oud-Beijerland
The Netherlands
Phone: +31-186 630240 • Fax: +31-186 630249
info@foodmate.nl
www.foodmate.nl

FOODMATE US, Inc.
300 Wilbanks Drive, Ball Ground, GA 30107
P.O. Box 4116, Canton, GA 30114
U.S.A.
Phone: +1-678-819-5270 (U.S.) • Fax: +1-678-819-5273
info@foodmateusa.com
www.foodmateus.com



foodmate