



WING TIP CUTTER

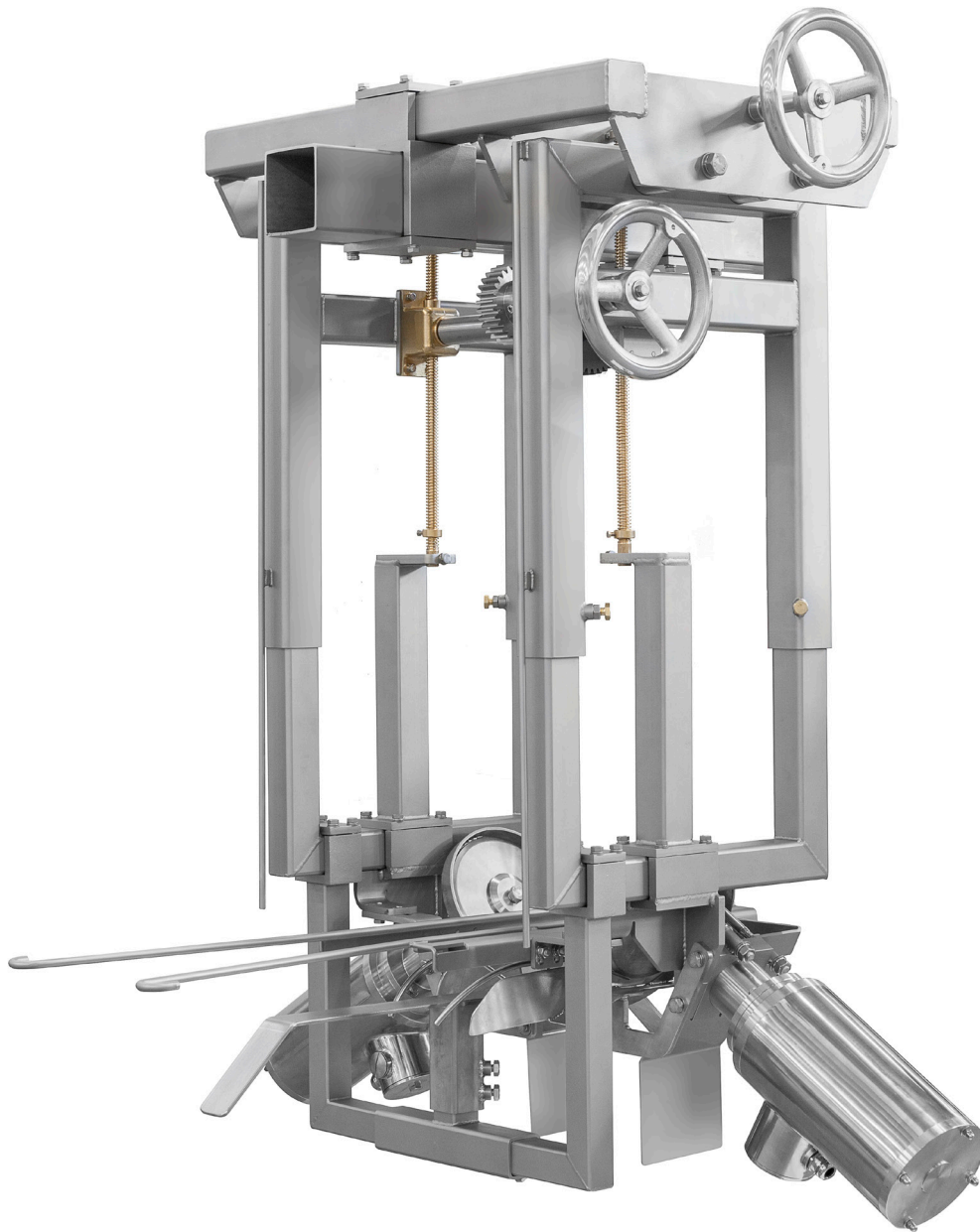


foodmate

Poultry Processing Systems

The Foodmate Wing Tip Cutter cuts the tip from the mid-wing piece. The machine is developed to accommodate common bird sizes and gives an optimal yield on wing

meat, while ensuring high cutting accuracy. The Wing Tip Cutter can be installed on current configurations or newly constructed Frame and Flex Lines.



Our mission is to innovate, automate and bring cost-effective solutions to the industry.



WING TIP CUTTER

Key Benefits:

- Allows for a maximum of 6,000 birds per hour

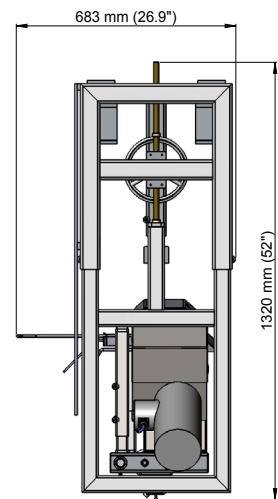
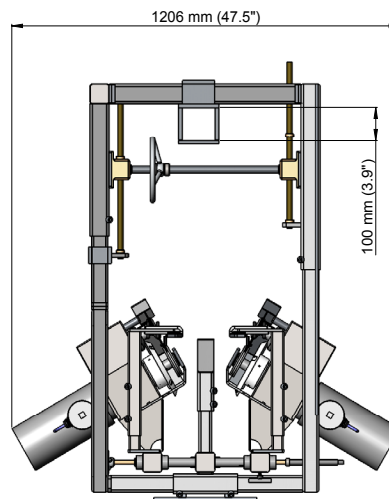
Foodmate is an equipment manufacturing company based in the Netherlands. Founded in 2006, we focus primarily on poultry processing, and we recently launched Foodmate US, expanding our worldwide distribution into North America. Driven by research, paired with unmatched knowledge and decades of experience, it's our mission to innovate, automate and bring cost-effective solutions to the industry.

Our product line spans a wide assortment of processing equipment designed for live bird handling, killing and de-feathering, eviscerating, chilling, weighing, cut-up systems, deboning, and more. In addition to manufacturing, we provide an extensive variety of spare parts and service for other processing equipment and reconditioned machines.

Our team represents decades of industry knowledge and experience resulting in the engineering, development and implementation of new designs for our clients and their ever-changing needs.

Technical Specifications:

- Stainless steel frame and motor
- Motor (IP66) power is 2 x 0,75 kW
- Machine dimensions:
 - Length: 683 mm
 - Width: 1206 mm
 - Height: 1320 mm
 - Weight: approx. 140 kg



FOODMATE B.V.
Röntgenstraat 18 • 3261 LK Oud-Beijerland
P.O. Box 1405 • 3260 AK Oud-Beijerland
The Netherlands
Phone: +31-186 630240 • Fax: +31-186 630249
info@foodmate.nl
www.foodmate.nl

FOODMATE US, Inc.
300 Wilbanks Drive, Ball Ground, GA 30107
P.O. Box 4116, Canton, GA 30114
U.S.A.
Phone: +1-678-819-5270 (U.S.) • Fax: +1-678-819-5273
info@foodmateusa.com
www.foodmateus.com



foodmate